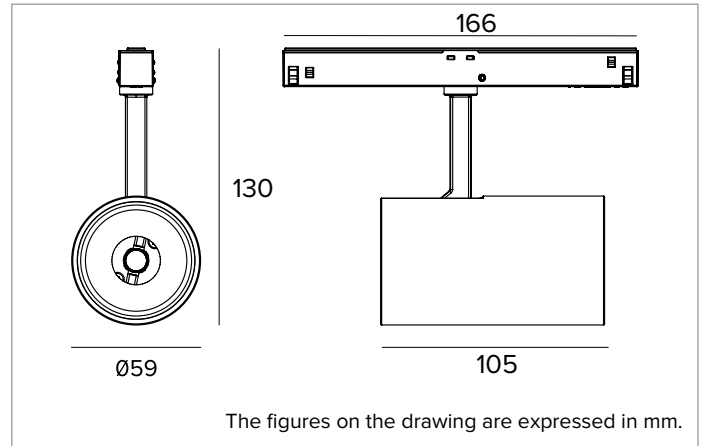


## 1T9081DA | FORTYEIGHT Label 6

### Low voltage adjustable LED professional projector



	4000K	H(m)	D(m)	Emax(lx)		
	Ra90			41°		
	Fixture Power	15W	1	0.75	3494	
	Source Flux	2018lm	2	1.50	873	
	Fixture Flux	1727lm	3	2.24	388	
	Efficacy	115lm/W	4	2.99	218	
TS1976	Imax=1767cd/klm	Imax	3567cd	5	3.74	140



#### SOURCE

High efficiency Chip on Board LED Ra90. 3500K on request.

**Energy efficiency class:** E

**Nominal power:** 14W

**Nominal flux:** 2018lm

**Colour rendering index:** 90

**Rf:** 90

**Rg:** 98

**CCT nominal:** 4000K

**SDCM:** 1.5

**Lifetime (L80/B10):** >50000h tq +25°C

#### ILLUMINOTECHNICAL CHARACTERISTICS

MWFL - precision optics with a black silicone cut off ring. Version with a transparent PMMA lens.

**Optic:** LENS

**Beam angles:** MWFL

**Optical efficiency:** 86%

**Fixture flux:** 1727lm

**Luminous efficacy:** 115lm/W

**Photobiological safety:** Compliant with RG1 low risk group

#### MECHANICAL CHARACTERISTICS

Painted die-cast aluminium body. The optical unit can be adjusted from 0° a 90° on the vertical plane and 360° on the horizontal plane with friction locking system.

**Colour and finish:** Deep black

**Dimensions:** D=59mm

**Weight:** 0.2Kg

**Version:** LONG ARM DALI

**Degree of protection:** IP20

#### ELECTRICAL CHARACTERISTICS

DALI version with track power supply. Casambi control system available using a dedicated accessory.

**Fixture Power:** 15W

**Power supply:** 48Vdc

**Insulation Class:** CLASS 3

**Class F:** YES

**SAFE FLICKER:** PstLM<1 and SVM<0.4 (IEC TR 61547-1 and IEC TR 63158), to ensure a more comfortable and safe light

**Ambient temperature:** 0°C / +25°C

#### INSTALLATION

Long bracket version for insertion into the trimless deep track version. Quick coupling system for mounting the product on the track.

#### NOTES

Not polarized fixture. The arm is and the adapter are supplied in the same colour as the body of the projector. 110-277Vac version available on request. Commissioning of the control system via free APP; the intervention of a specialist technician can be quoted on request.

#### WARRANTY

5 years.

#### WARNING

Luminaire designed for disposal/recycling at end-of-life. Replaceable (LED only) light source by a professional. Replaceable control gear by a professional.

*Due to the technological evolution of the electronic components, the data provided may be updated, and as such, confirmation must be requested during the order process.*

*Luminous flux and power supply have +/-10% tolerances with respect to the indicated value. tq +25°C (CIE 121).*

*We reserve the right to make technical changes.*

Targetti Sankey S.r.l.  
Via Pratese, 164  
50145 Firenze - Italy  
Tel: +39 055 37911  
targetti.com  
targetti@targetti.com

CCIAA Firenze  
Share Capital:  
€ 500.000,00  
VAT N. (IT):  
01537660480  
R.E.A: FI-275656

**TARGETTI**

## 1T9081DA | FORTYEIGHT Label 6

### Low voltage adjustable LED professional projector

#### Accessories

##### Filter



Ø mm	Code
50	<b>1T4721</b>

PMMA holographic filter with blade effect to ovalize the light beam; more evident when combined with spot and flood optics.

*Due to the technological evolution of the electronic components, the data provided may be updated, and as such, confirmation must be requested during the order process.*

*Luminous flux and power supply have +/-10% tolerances with respect to the indicated value. tq +25°C (CIE 121).*

*We reserve the right to make technical changes.*

Targetti Sankey S.r.l.  
Via Pratese, 164  
50145 Firenze - Italy  
Tel: +39 055 37911  
targetti.com  
targetti@targetti.com

CCIAA Firenze  
Share Capital:  
€ 500.000,00  
VAT N. (IT):  
01537660480  
R.E.A: FI-275656

**TARGETTI**